

The logo for KEYA, featuring the word "KEYA" in a stylized, white, sans-serif font. The letters are interconnected, with the 'K' and 'E' sharing a vertical stroke, and the 'Y' and 'A' sharing a vertical stroke. A registered trademark symbol (®) is located at the top right of the 'A'.

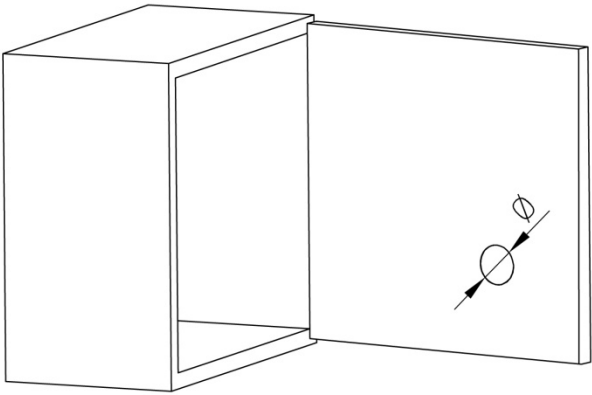
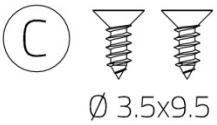
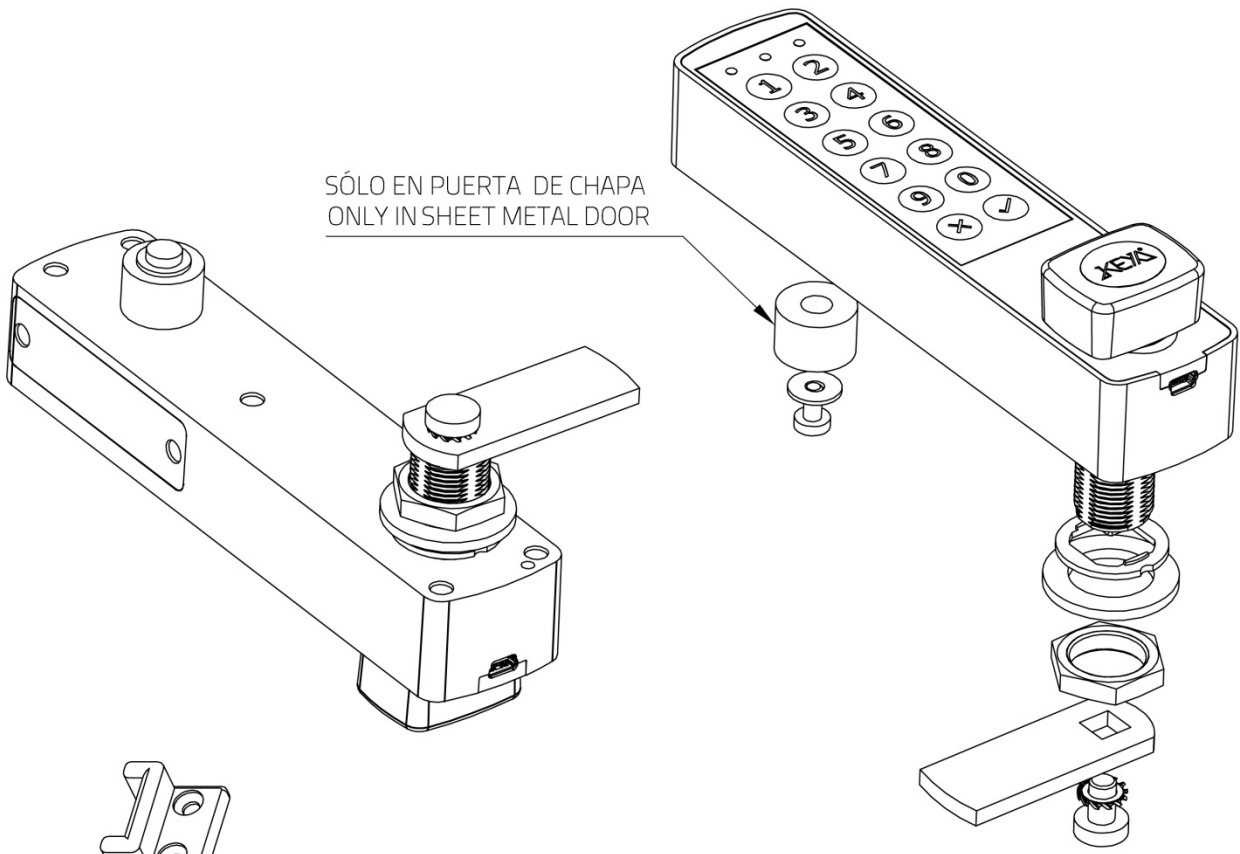
UNLOCK INNOVATION

The background features a blue gradient with decorative white lines. On the right side, several thin white lines curve upwards and outwards. On the left side, a series of thin white lines form a wave-like pattern that curves across the bottom of the page.

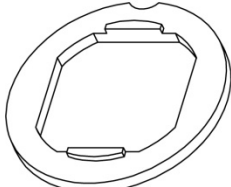
ELOCK PLUS
MONTAJE / ASSEMBLY



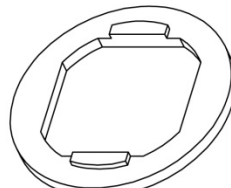
SÓLO EN PUERTA DE CHAPA
ONLY IN SHEET METAL DOOR



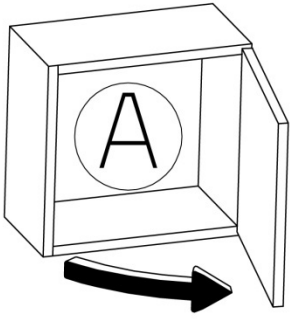
PUERTA CON AGUJERO EXISTENTE
DOOR WITH EXISTING HOLE



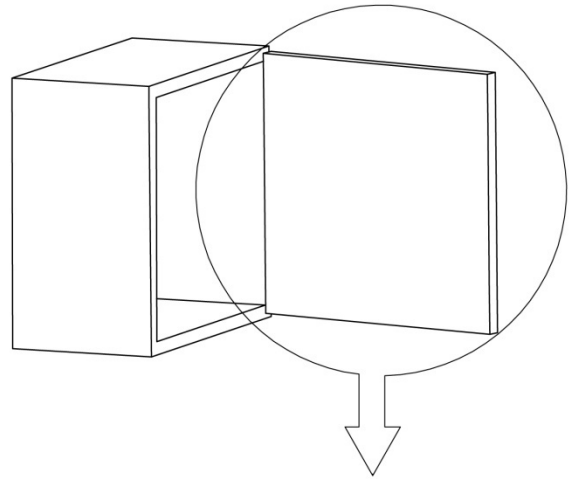
Ø 19
Ref: 10005



Ø20
Ref: 10006

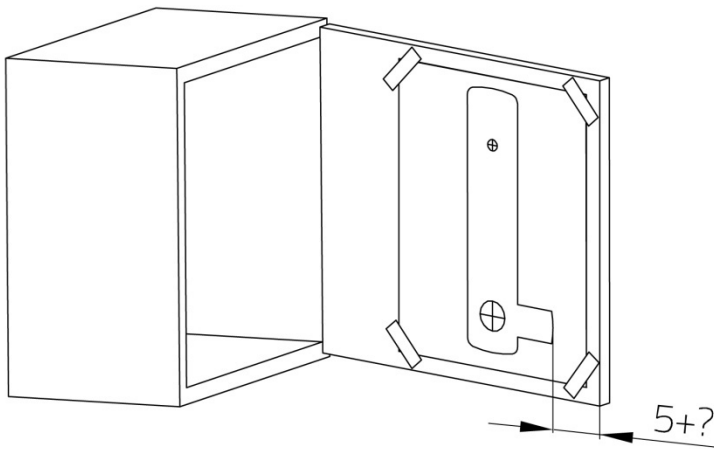
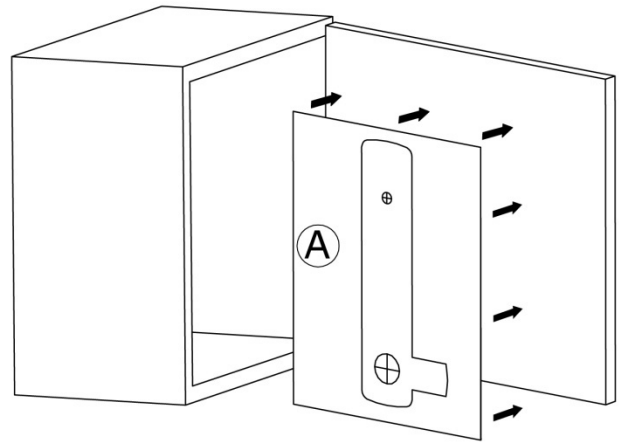


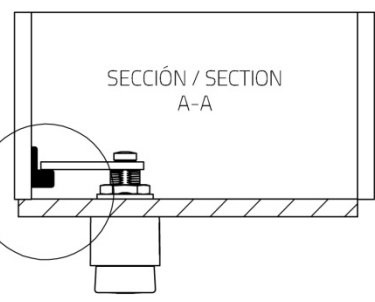
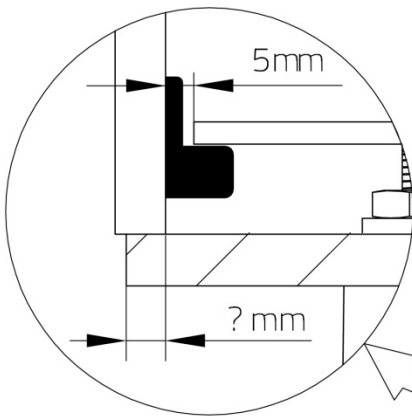
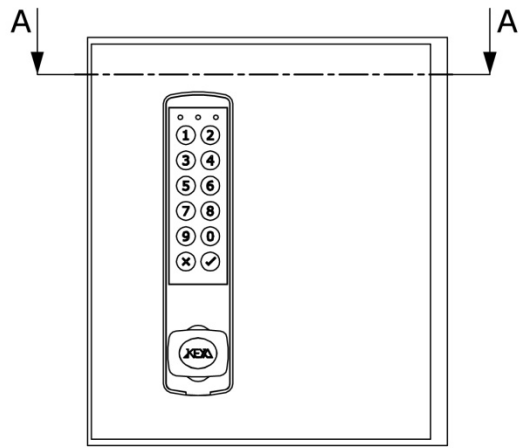
PUERTA DERECHA
RIGHT HAND DOOR



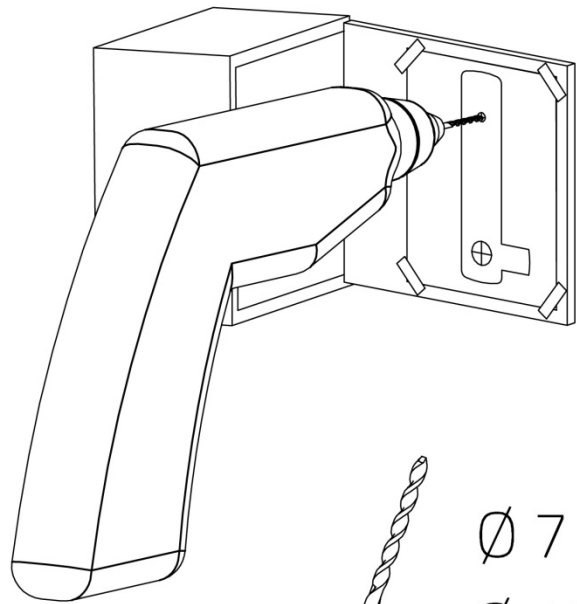
PUERTA NUEVA
NEW DOOR

1





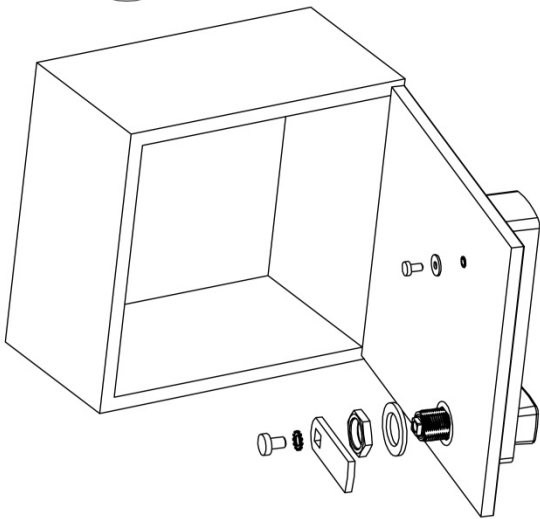
2



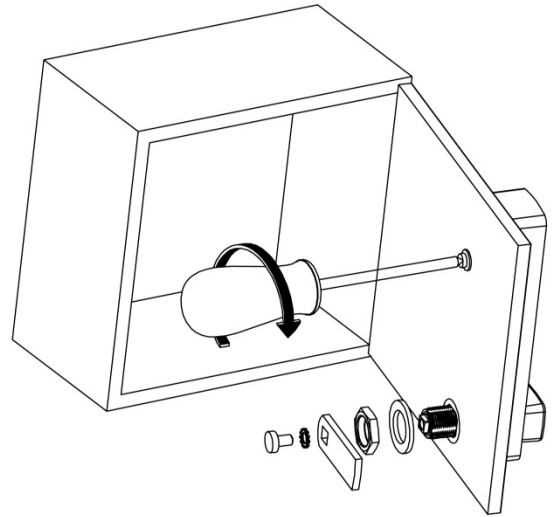
Ø 7

Ø 18,5

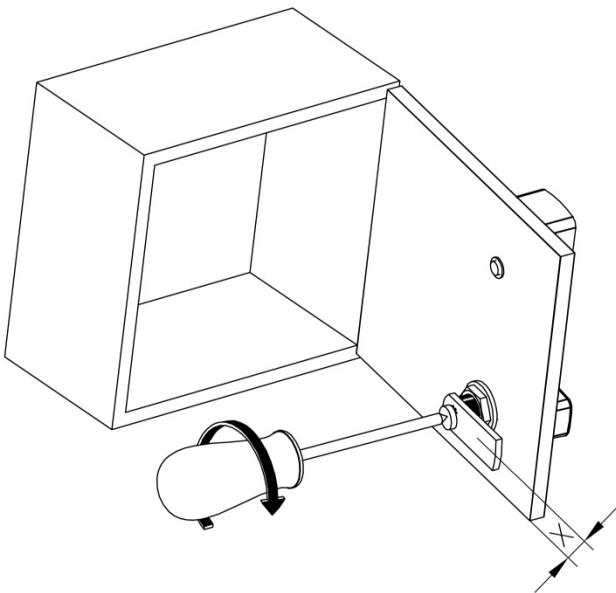
3



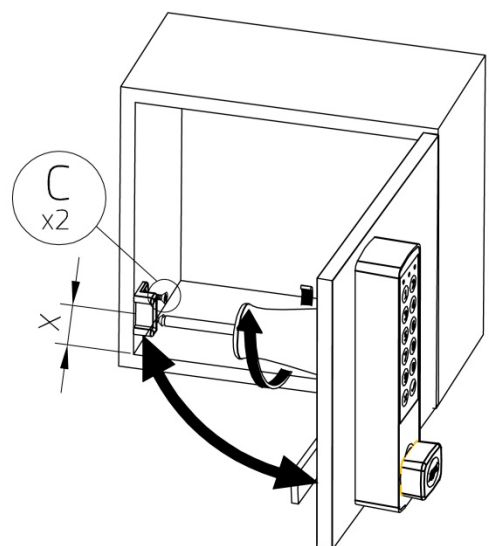
4

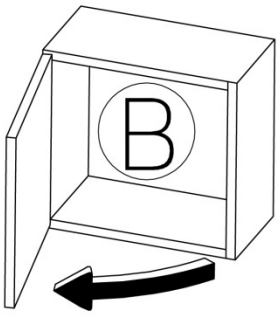


5

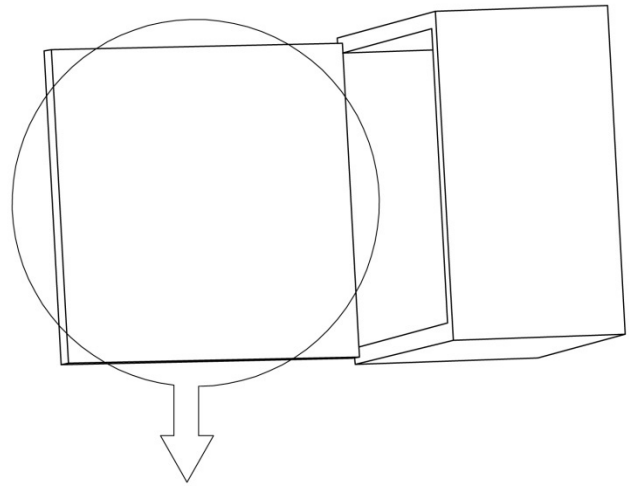


6



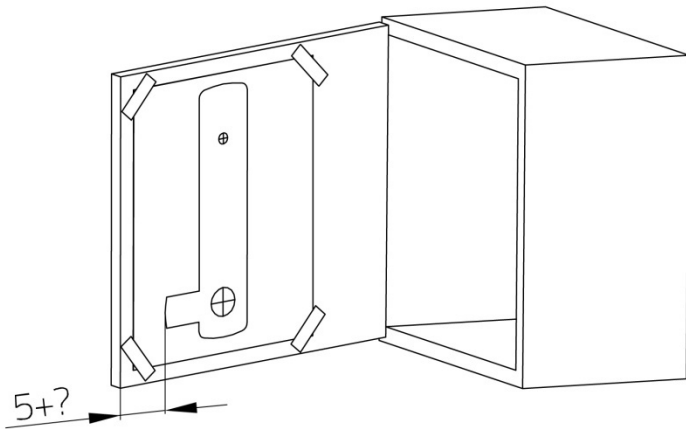
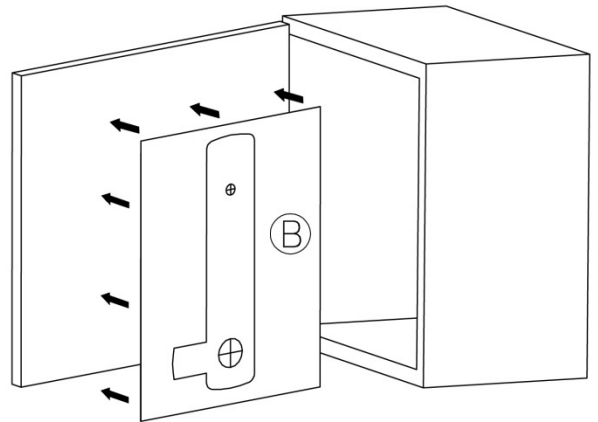


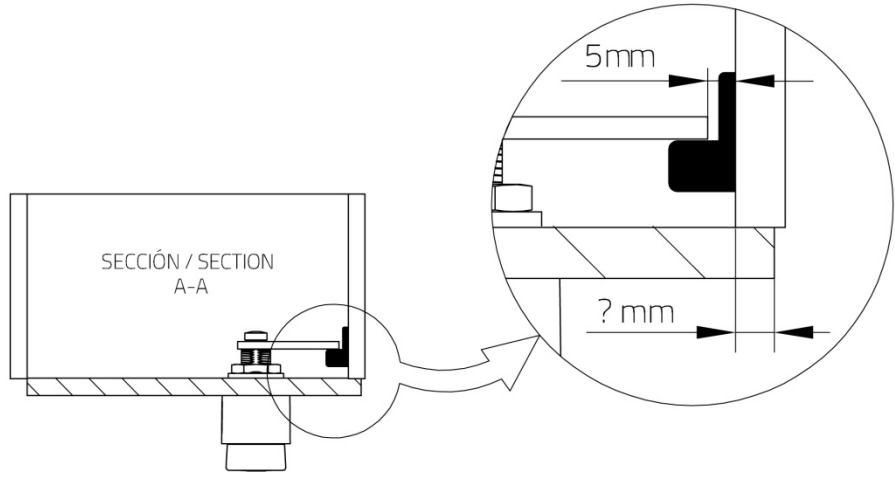
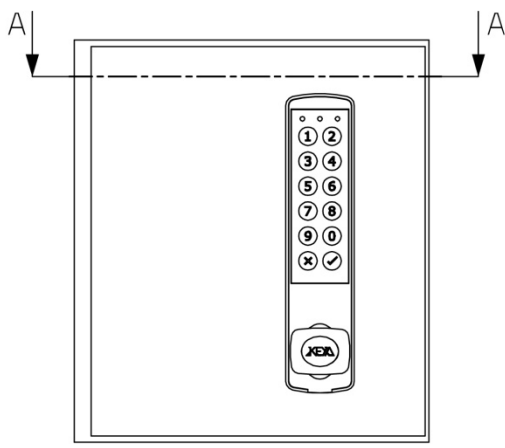
PUERTA IZQUIERDA
LEFT HAND DOOR



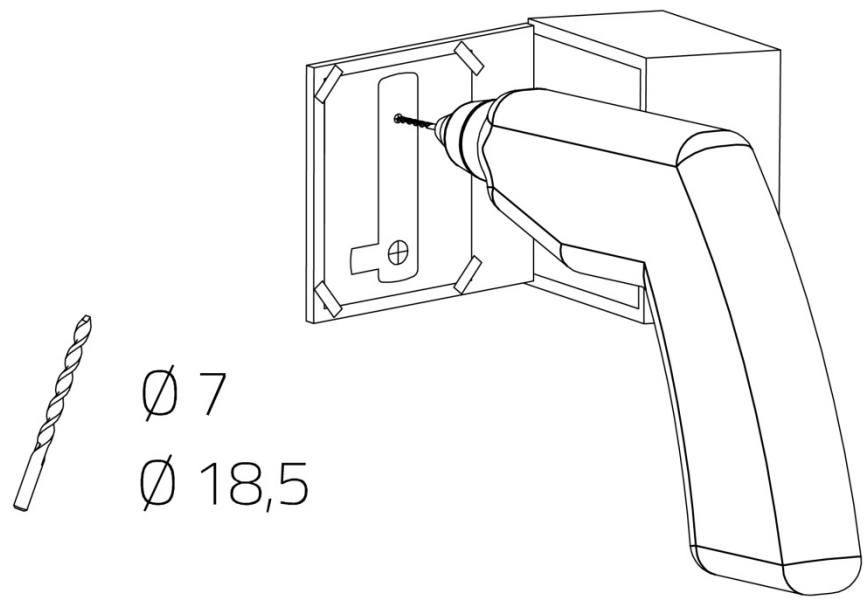
PUERTA NUEVA
NEW DOOR

1

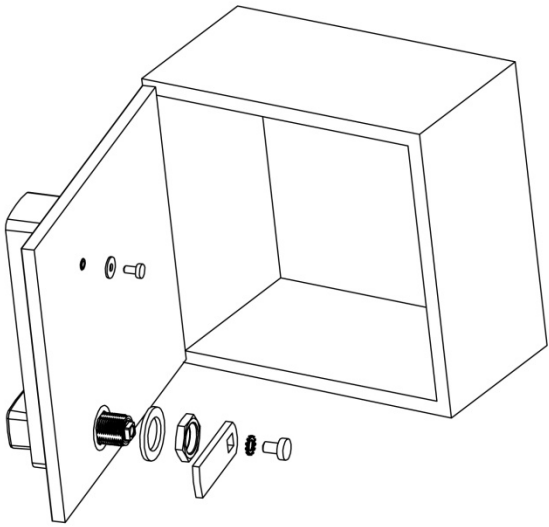




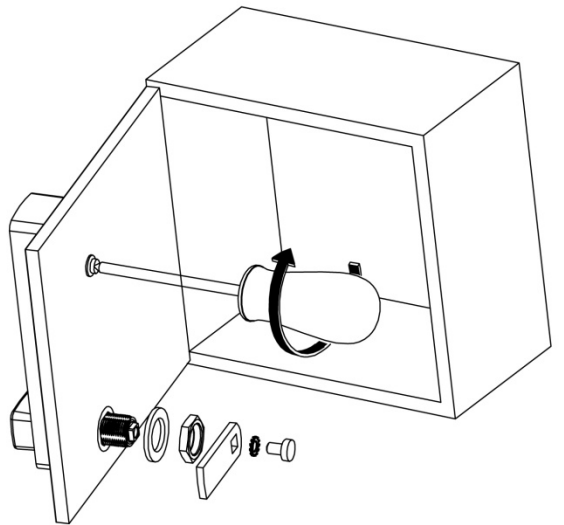
2



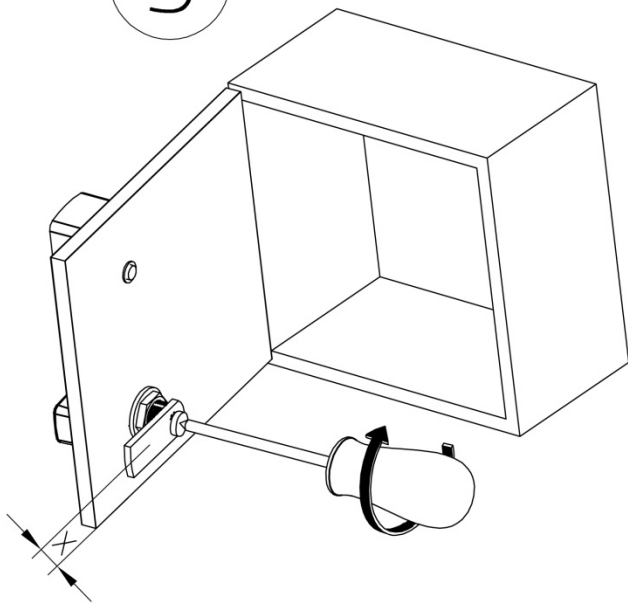
3



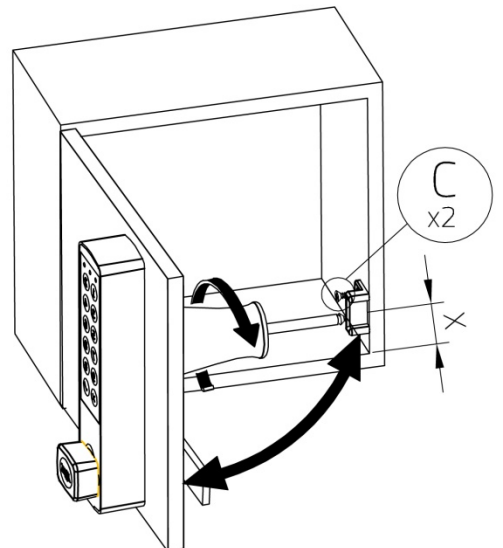
4



5



6

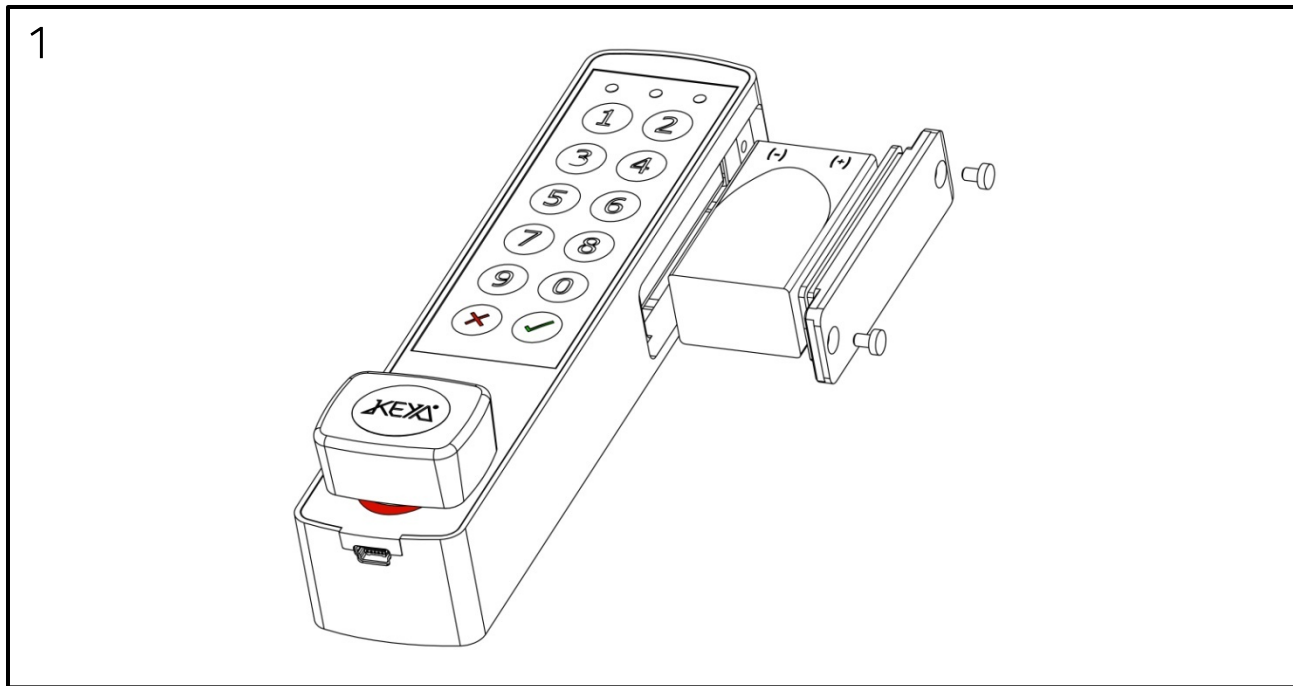


FAQ's Preguntas más frecuentes / Frequently asked questions

Una vez instalado, al presionar las teclas, la cerradura no responde (no emite pitido ni funciona)

Once assembled, the lock does not work when the key buttons are pressed (no sound and the lock does not work)

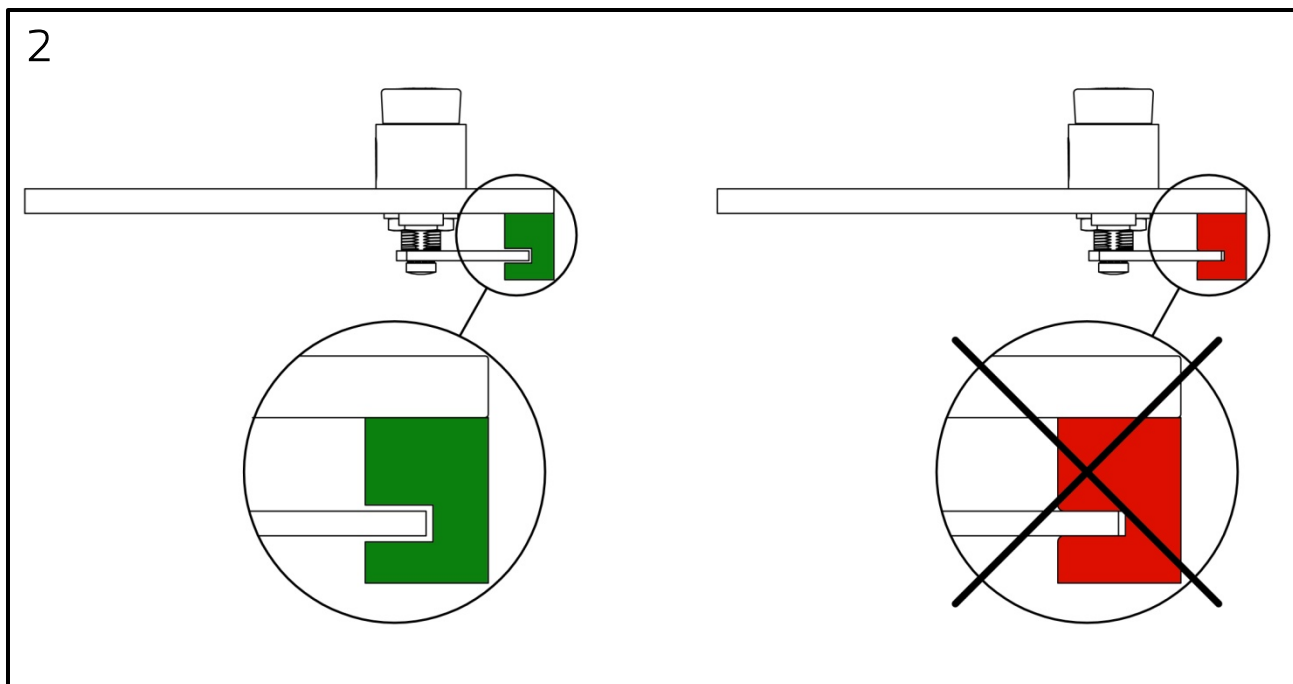
Verificar que la pila esté en la posición correcta (respetando la polaridad indicada en el compartimento)
Verify that the battery have the correct polarity (indicated inside).



El pestillo no abre / cierra después de introducir un código válido.

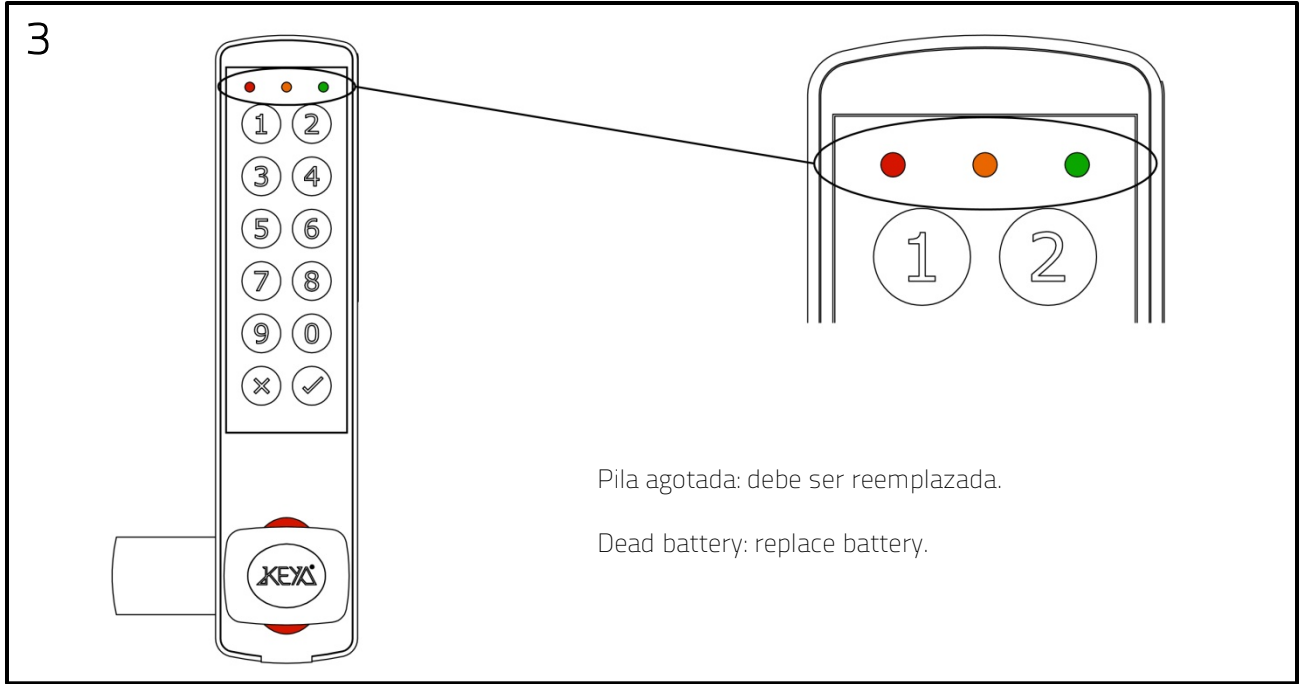
The latch does not open / close after a correct code.

Verificar que el pestillo abre y cierra sin impedimento (roce, interferencia contra el marco)
Verify that the latch works smoothly in and out without any friction with the door frame.



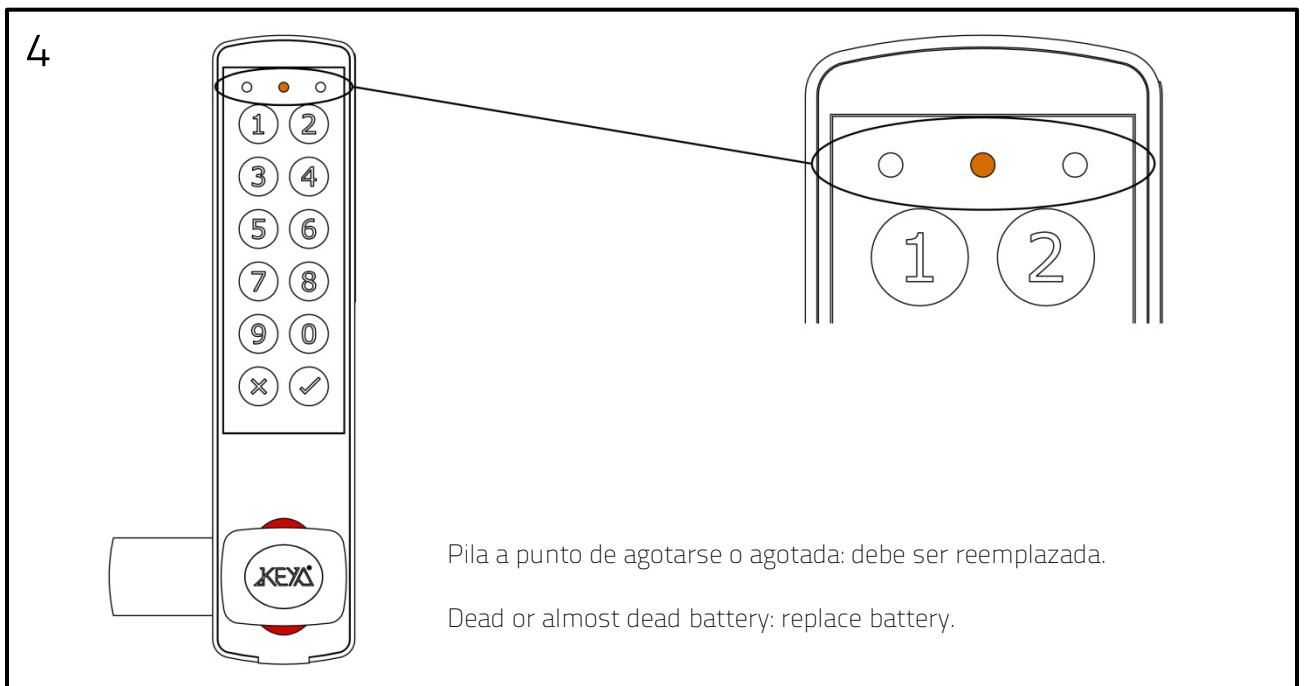
Al introducir un código válido y pulsar ENTER, destellan los tres LEDs a la vez (verde-amarillo-rojo) y la cerradura no funciona.

After introducing the correct code and pressing ENTER, the three LEDs blink at the same time (green-yellow-red) and the lock does not work.



Al pulsar cualquier tecla, destella el LED central (amarillo).

After pressing any button the yellow LED blinks.



IMPORTANTE

Recomendamos cambiar las pilas anualmente para asegurar el buen estado de la cerradura. Las pilas tras largos periodos de tiempo instaladas, pueden dañarse y dañar la cerradura, especialmente en ambientes muy cálidos

No limpiar las cerraduras con productos de limpieza que contengan ácido clorhídrico, lejía o componentes corrosivos, especialmente en las partes metálicas.

IMPORTANT

We suggest to change once a year the batteries for ensure their good condition. After a long time, the batteries can deteriorate and damage the lock, especially in hot environments

Do not clean the locks with cleaning products with hydrochloric acid, lye or corrosive components, especially on the metallic parts.

